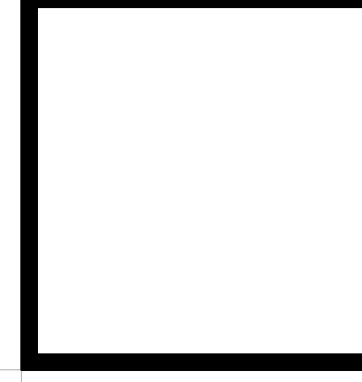
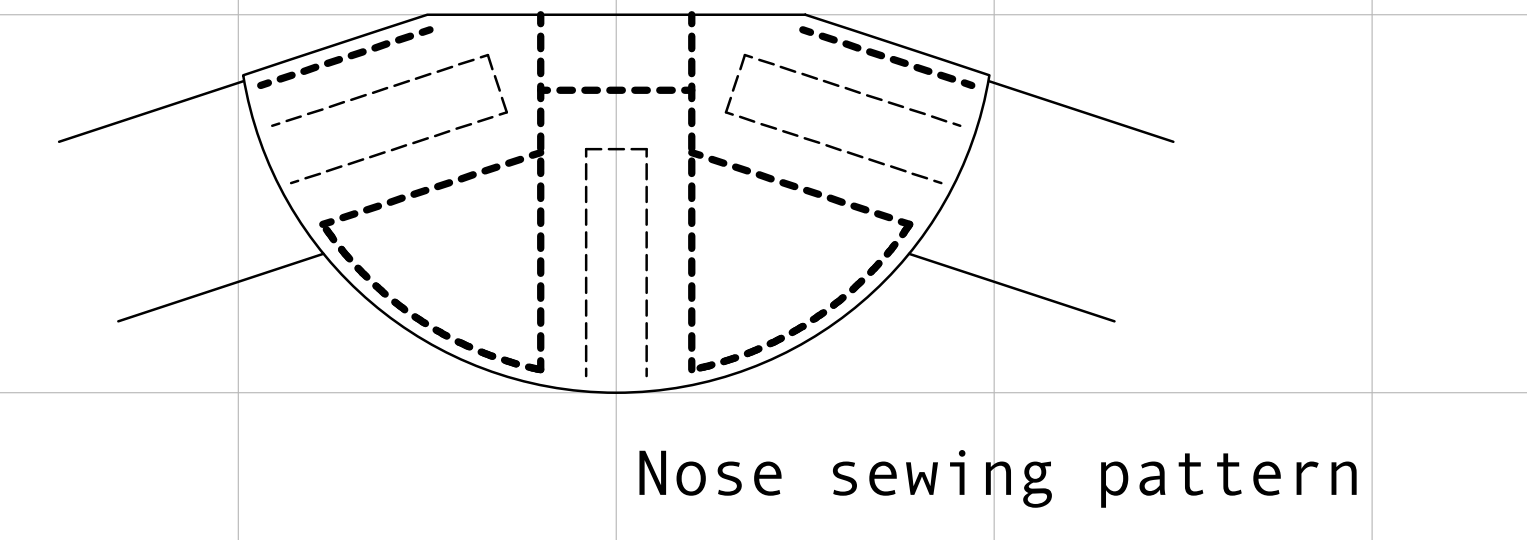
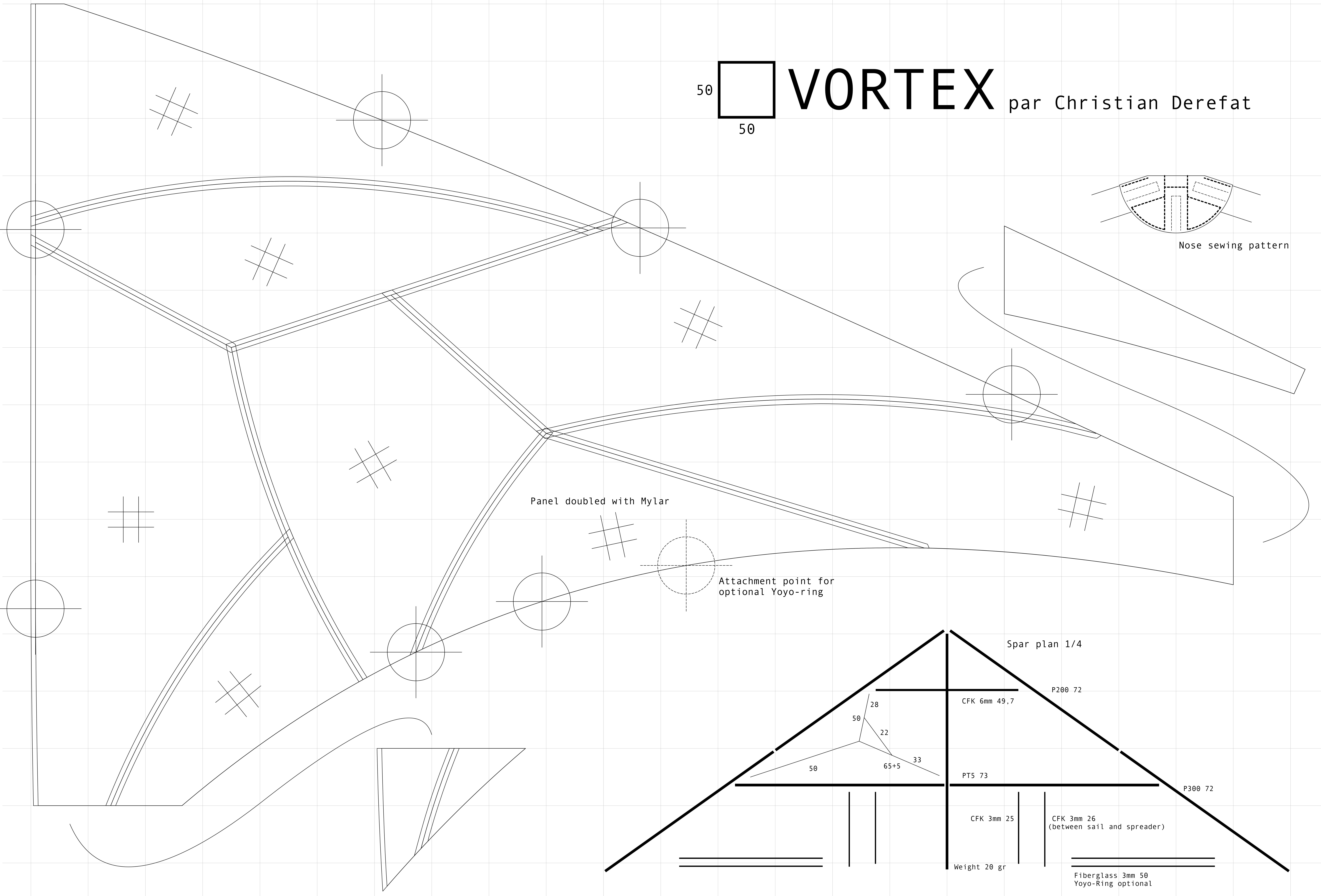


50  **VORTEX** par Christian Derefat



Panel doubled with Mylar

Attachment point for optional Yoyo-ring

Spar plan 1/4

